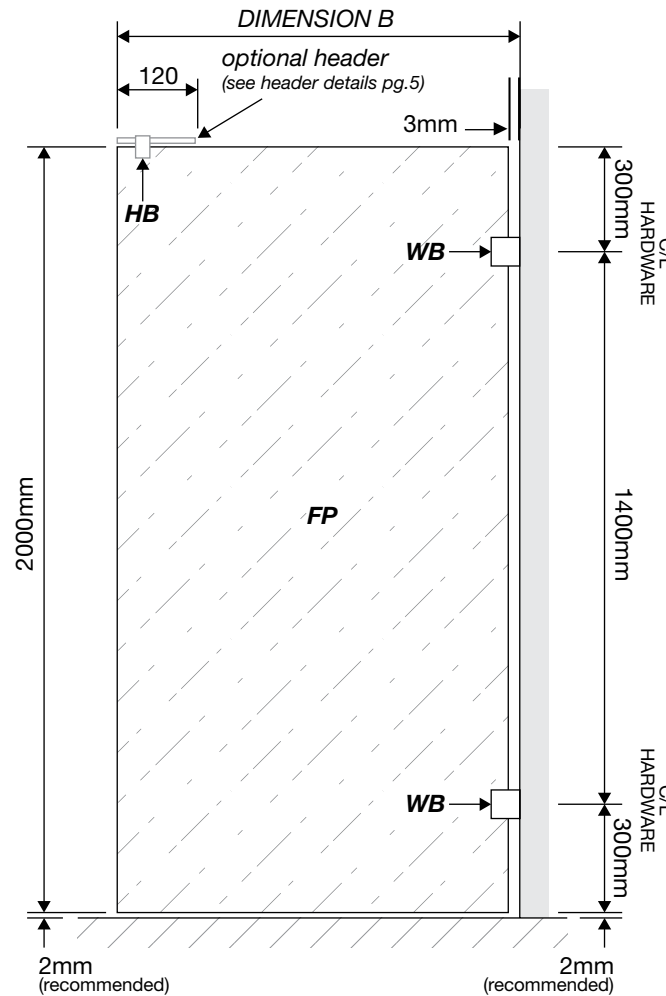
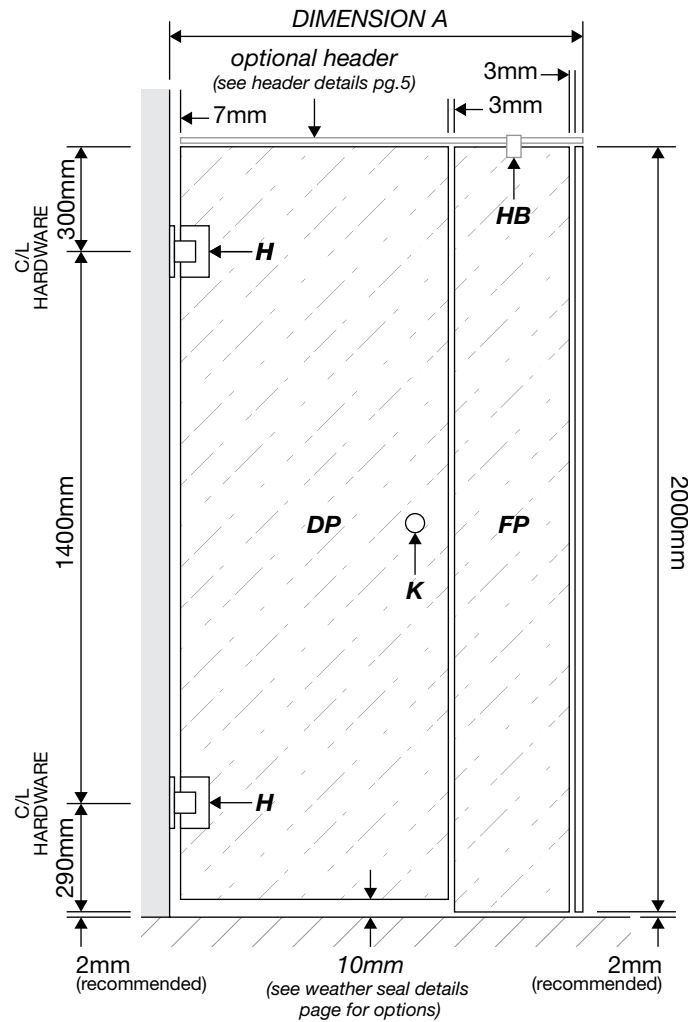


3-PANEL B SQUARE SHOWER 2000 HEIGHT SERIES (technical drawings)

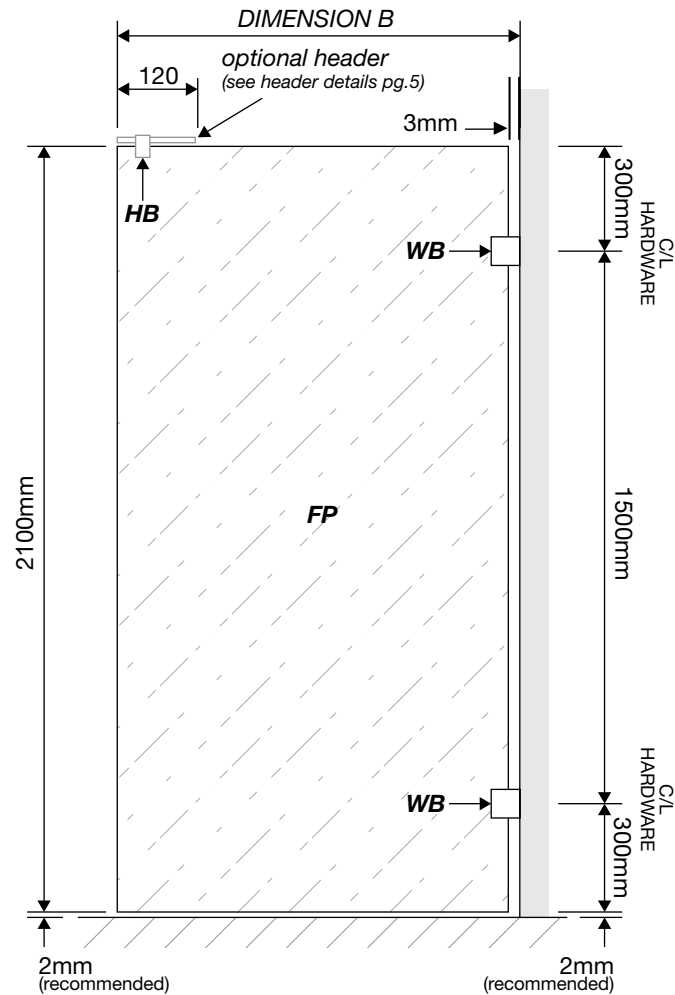
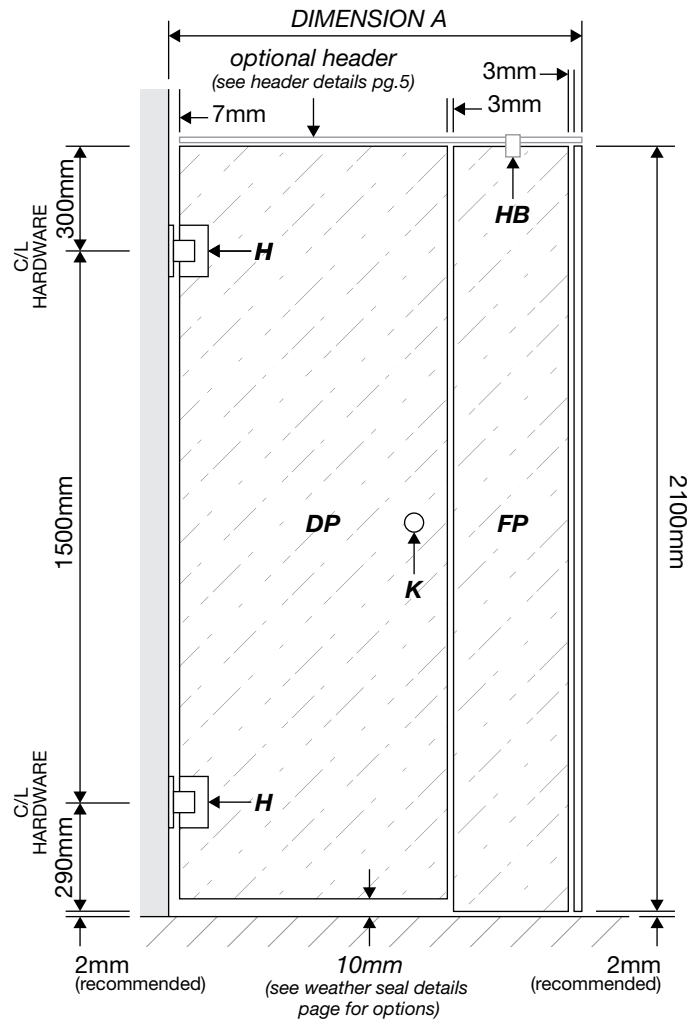


LEGEND

DIMENSION A	The overall dimension including gaps between wall and all glass panels (± 1 mm to all gaps recommended).
DIMENSION B	The overall dimension, NOT including gaps between glass and wall ($4\text{mm} \pm 1$ gap is recommended).
FP	Shower screen fixed glass panel (FP Glass Series).
DP	Shower screen door glass panel with hinge cutouts and hole for selected door knob (DP Glass Series).
H	Wall-to-Glass Hinge x2
WB	Wall Bracket x2
HB	Header Bracket (optional)
K	Knob x1

** All glass is 10mm clear toughened. **

3-PANEL B SQUARE SHOWER 2100 HEIGHT SERIES (technical drawings)



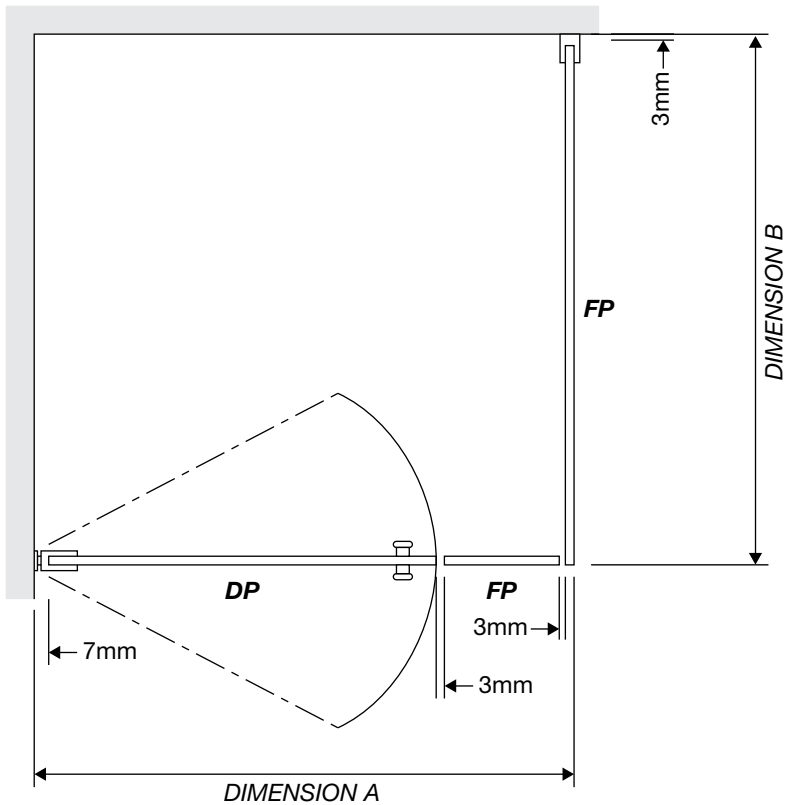
LEGEND

DIMENSION A	The overall dimension including gaps between wall and all glass panels (± 1 mm to all gaps recommended).
DIMENSION B	The overall dimension, NOT including gaps between glass and wall ($4\text{mm} \pm 1$ gap is recommended).
FP	Shower screen fixed glass panel (FP Glass Series).
DP	Shower screen door glass panel with hinge cutouts and hole for selected door knob (DP Glass Series).
H	Wall-to-Glass Hinge x2
WB	Wall Bracket x2
HB	Header Bracket (optional)
K	Knob x1

** All glass is 10mm clear toughened. **

ELEVATION DRAWING

3-PANEL SQUARE SHOWER SERIES (technical drawings)



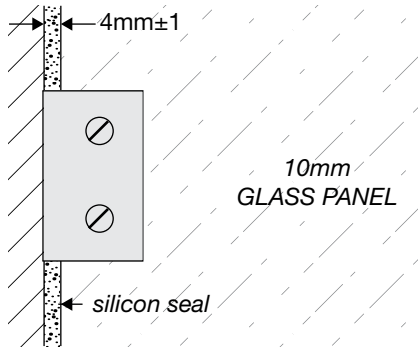
Dimension A, is the overall dimension including gaps between wall and all glass panels (± 1 mm to all gaps recommended).

Dimension B, is the overall dimension NOT including the gaps between glass and wall (4mm ± 1 gap is recommended).

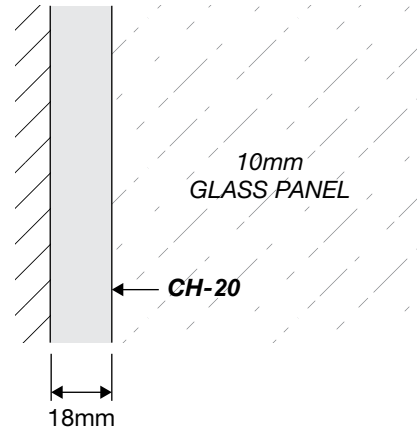
Between fixed panel and wall, silicon beading is required.

WALL/FLOOR MOUNTING APPLICATIONS

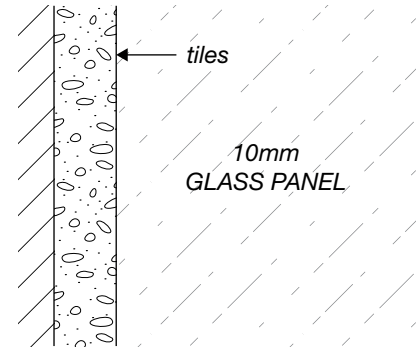
1/ CLAMP



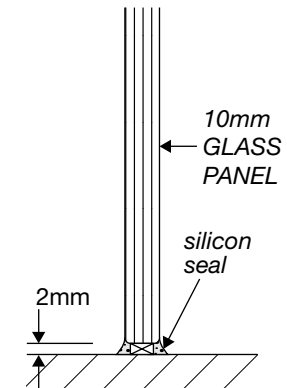
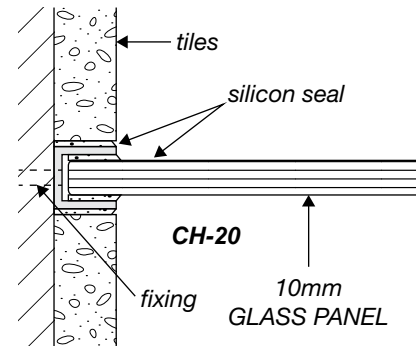
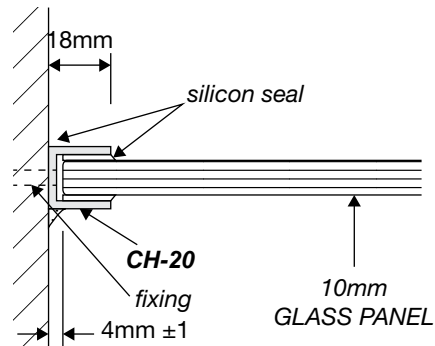
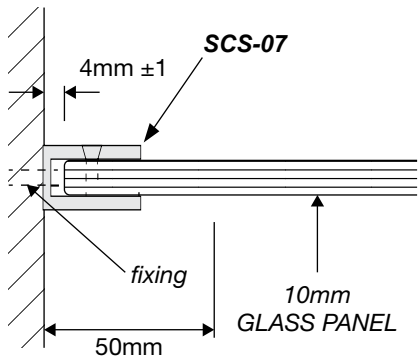
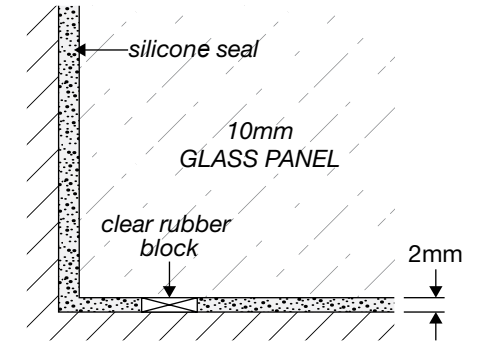
2/ CHANNEL



3/ REBATED CHANNEL (INTO TILES)



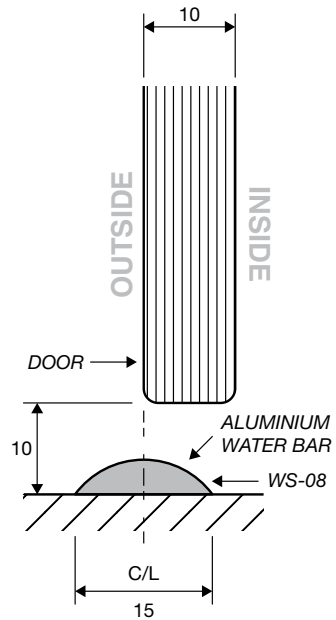
4/ GLASS-TO-FLOOR SEAL



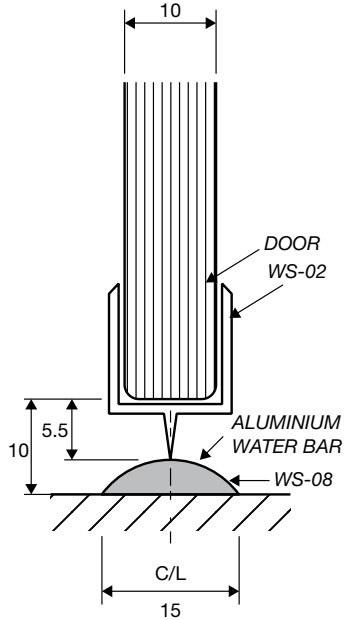
WALL MOUNT DRAWINGS

CLEAR WATER SEAL APPLICATIONS

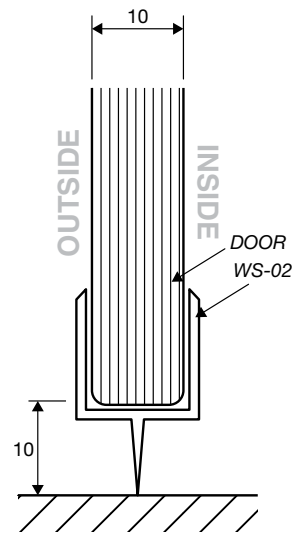
OPTION 1



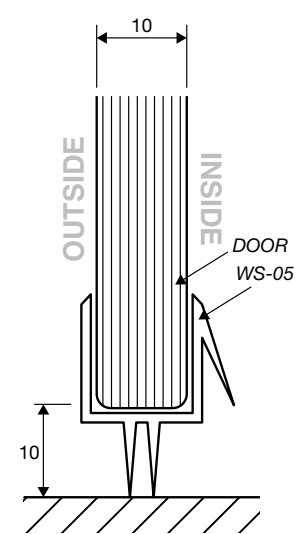
OPTION 2



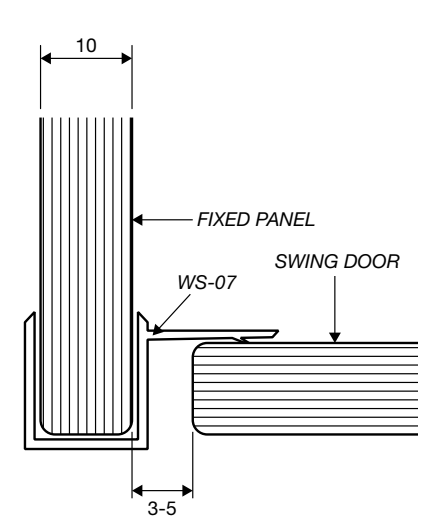
OPTION 3



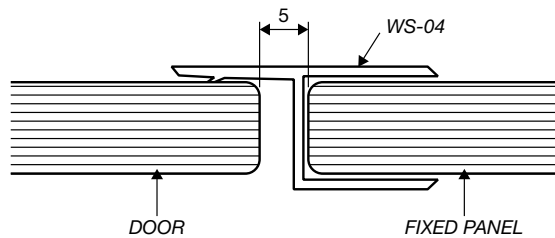
OPTION 4



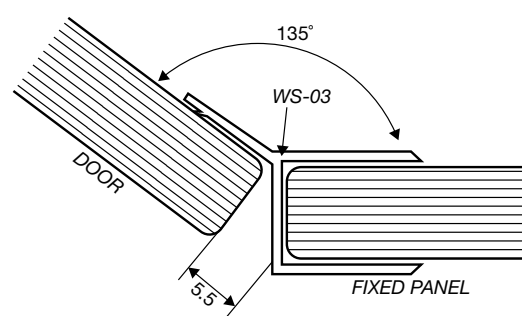
OPTION 5



OPTION 6 (FLOOR TO FIXED PANEL SEAL)

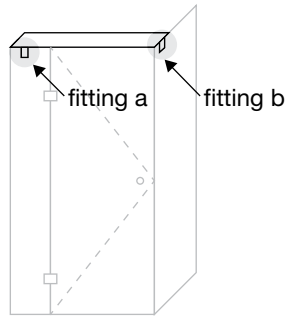


OPTION 7 (135° JOINT SEAL)

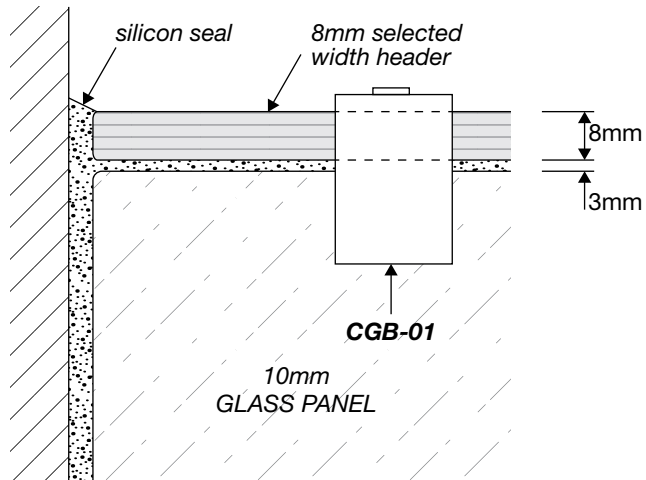


SEAL APPLICATION DRAWINGS

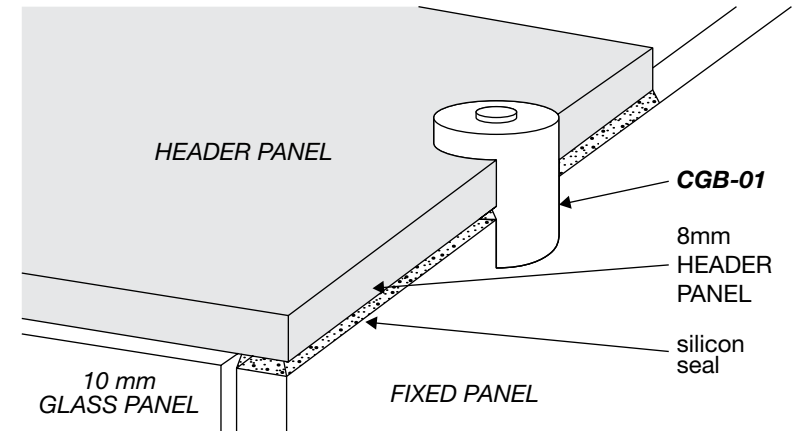
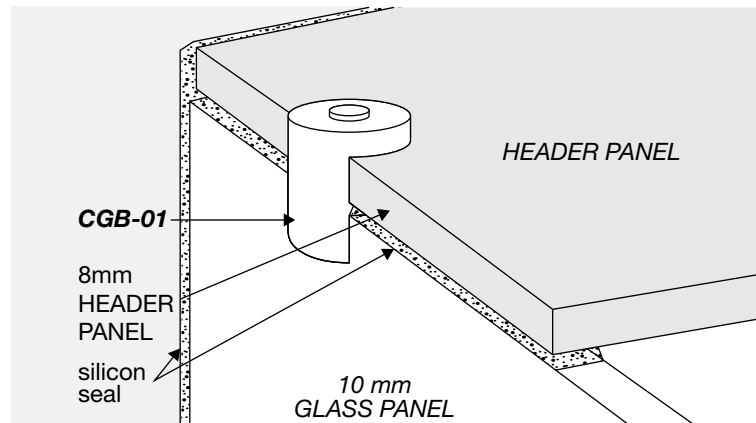
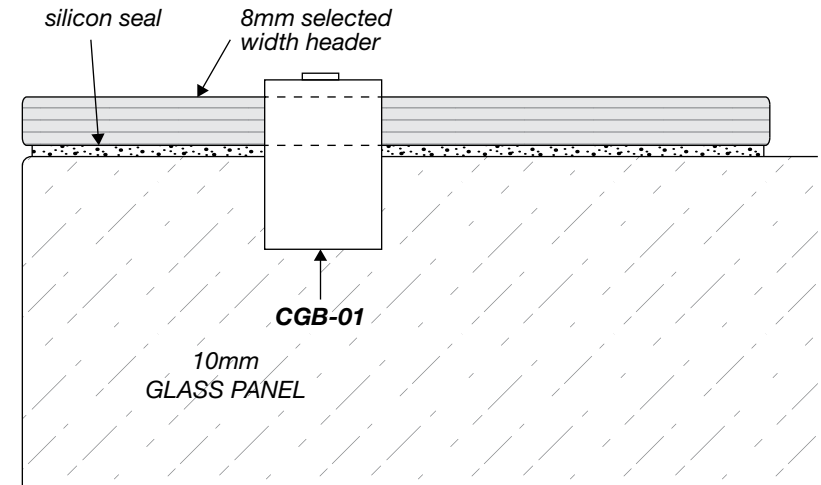
SHOWER HEADER APPLICATION



FITTING A



FITTING B



ELEVATION DRAWING